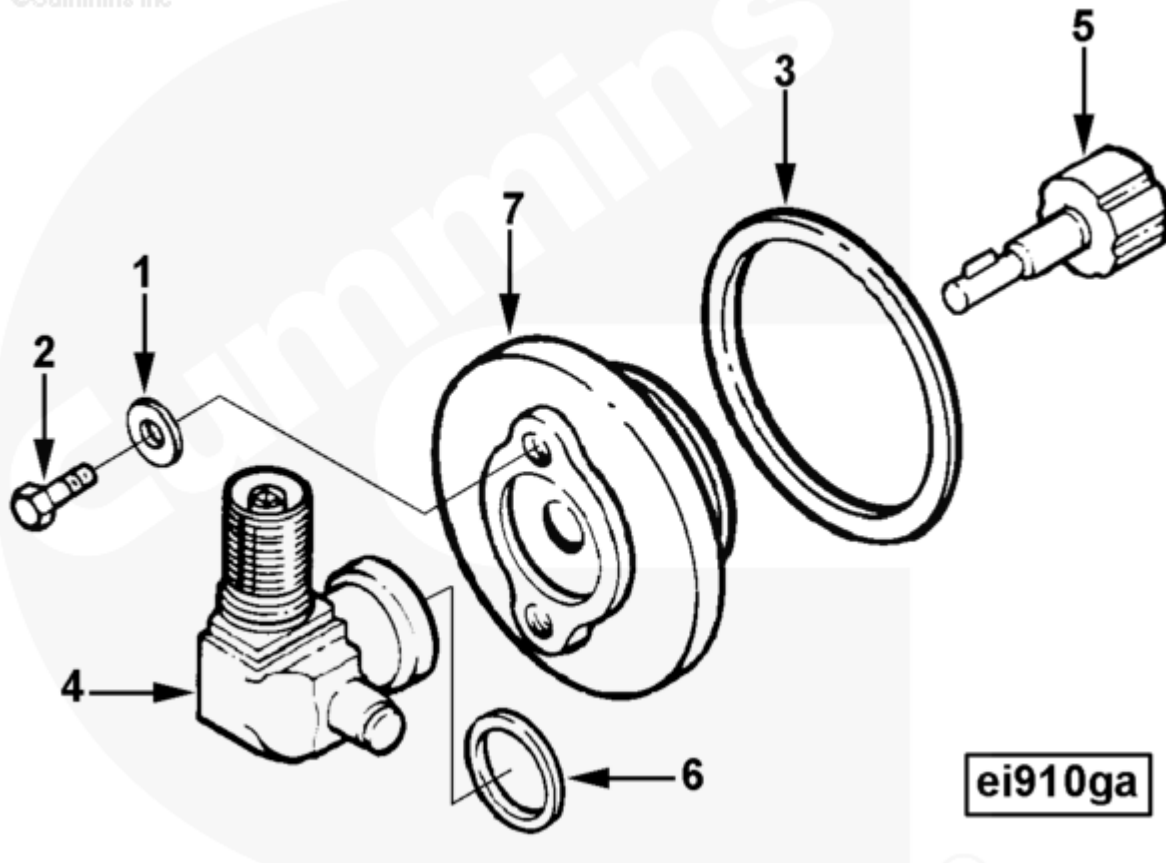




Parts Catalog - Option Detail

Electronic Parts Catalog - Option Detail				
Option	Group	Graphic	Film Card	Date
EI9020	15.06	ei910ga	Z	01-APR-96
Engines	6C8.3, C GAS PLUS CM556, G8.3, G8.3 CM558, GTA8.3 CM558, ISC CM2150, ISC CM554, ISC CM850, ISC8.3 CM2250, ISC8.3 G CM2180 C101, ISL CM2150, ISL CM554, ISL CM850, ISL G CM2180, ISL8.9 CM2150 L110, ISL8.9 CM2880 L112, ISL9 CM2150 SN, ISL9 CM2250, ISL9 CM2350 L101, ISL9 CM2350 L111, ISLE4 CM850, L GAS PLUS CM556, L8.9, L8.9 L121, L8.9G CMOH2.0 L125B, L9 CM2350 L116B, L9 CM2350 L119B, L9 CM2350 L120C, L9 CM2350 L123B, L9.3 L105, L9.5 L117, L9N CM2380 L124B, QSC8.3 CM2250, QSC8.3 CM2880 C102, QSC8.3 CM554, QSC8.3 CM850(CM2850), QSL9 CM2250, QSL9 CM2250 L115, QSL9 CM2350 L102, QSL9 CM2350 L107, QSL9 CM2350 L118, QSL9 CM2350 L122, QSL9 CM554, QSL9 CM850(CM2850), QSL9 G CM558, QSL9 M CM2250 L106, QSL9.3 CM2880 L113			

©Cummins Inc



SMALL | MEDIUM | LARGE

Cart	Ref No	Part Number	Part Description	Required	Remarks
View My Cart					
		EI9020	Mechanical Tachometer Drive		Mechanical Tach Drive...(More)
					Drive Adapter Angle:
					90 Degree

					Drive Orientation:
					30 Degree CW
					Drive Type: Tang
					Drive Size (IN.): 0.187
					Drive Connection Thread:
					7/8-18-NS-2A
					Protector Cover Color: Red
					Restricted Fuel Pump Model:
					Bosch P7100
					Engine Family:
					B Series
					C Series
					Restricted Fuel Pump Model:
					Bosch P7100
					Bosch P3000
<input type="checkbox"/>	1	62392	Plain Washer	2	1/4 in.
<input type="checkbox"/>	2	3027685	Hexagon Head Cap Screw	2	M6 x 1.00 x 12
<input type="checkbox"/>	3	3903475	Rectangular Ring Seal	1	
<input type="checkbox"/>	4	3914132	Angle Drive Adapter	1	
<input type="checkbox"/>	5	3917333	Tachometer Drive Coupling Hub	1	
		3905308	Tachometer Drive Shaft	1	
<input type="checkbox"/>	6	3915800	Rectangular Ring Seal	1	
<input type="checkbox"/>	7	3918215	Tachometer Take-Off Drive Adapter	1	